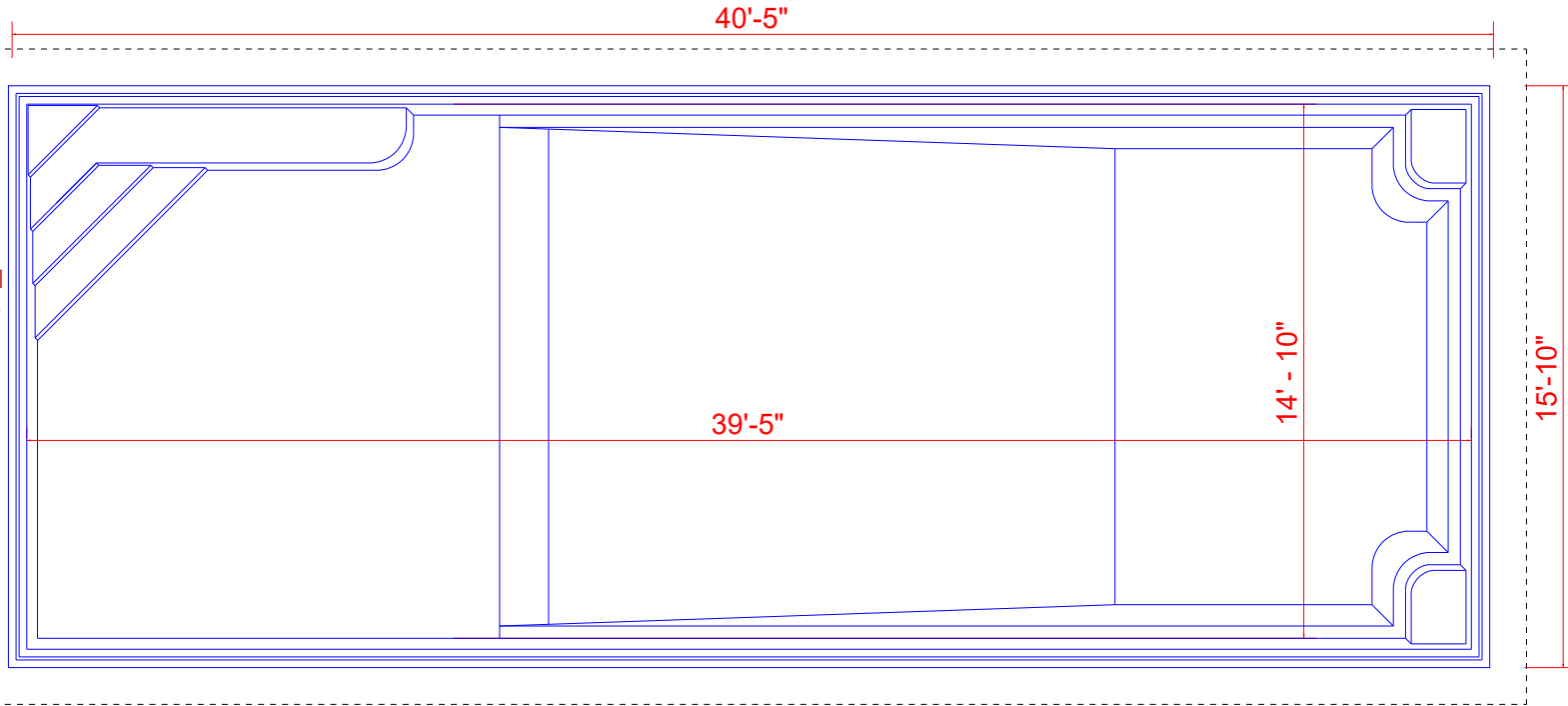
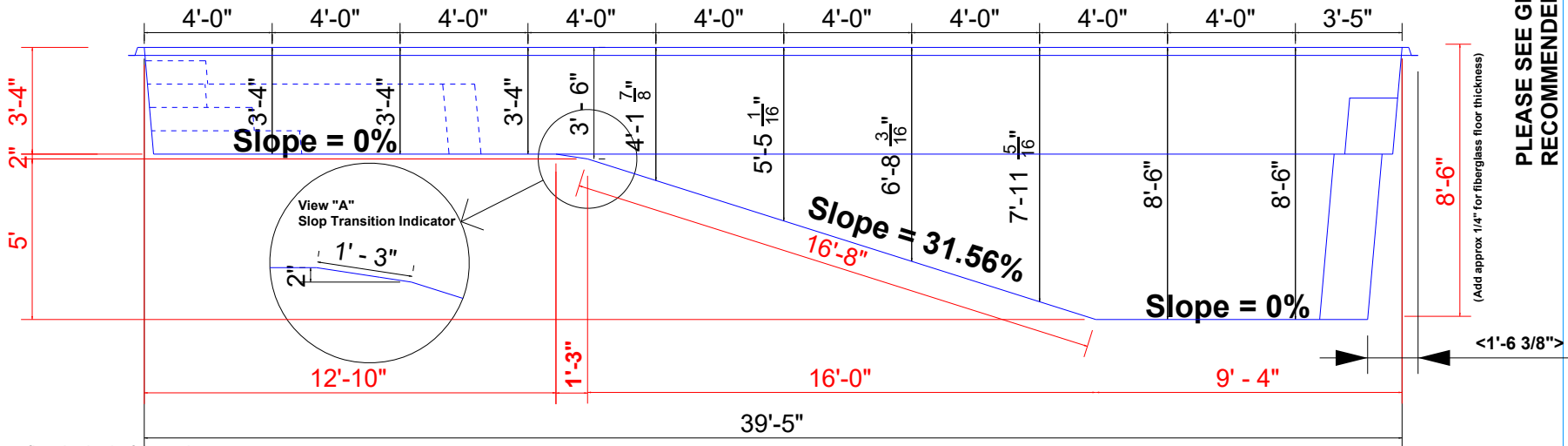


Your weekend starts early with us

Monolith 1640 Depth: 3'-4" to 8' - 6"



Typical Overdig approx 1'
 If using FPA (Fiberglass Pool Anchor System) 20" to 24"



PLEASE SEE GENERAL CONSTRUCTION AND RECOMMENDED INSTALLATION NOTES

TYPE I DIVING POOL

SPECIFICATIONS:

Volume:	22,400 gallons (est)
Weight:	4,200 lbs (est)
Area:	580 sq. ft. (est)
ANSI/NSPI-5-2003	TYPE I

SCALE:

CONTROL	Checked By:	Checked By:
	Designed By:	TP
	D.C.	BK

THURSDAY POOLS LLC
 your weekend starts early with us
 840 Commerce Parkway
 Fortville, Indiana 46040
 Note: for technical help please call Thursday Pools LLC at Toll Free (877) 929-POOL (7665) Local (317) 973-0200

To be filled out by Pool Dealer

POOL NAME:	Monolith 1640
OWNER:	
ADDRESS:	
POOL DEALER:	

To be filled out by Thursday Pools LLC

Date:	3/29/22
Job No.	
File No.	

Sheet No. D8
 Revision No. 02

*All depths reflect the depth of the pool structure. Water depths may vary depending on the amount of water in the pool.
 This NOTICE AND DISCLAIMER is made to all retail customers, buyers, and end users of pools manufactured by Thursday Pools. You are by this NOTICE advised that pools manufactured by Thursday Pools (the "MANUFACTURER") are sold by independent dealers and dealerships. Each dealer is an independent businessperson who is completely separate from the MANUFACTURER. Each dealer is an independent contractor, and no dealer is an owner, agent (in fact or law), or employee of the MANUFACTURER. The MANUFACTURER hereby DISCLAIMS any liability for an intentional or negligent act by any dealer, dealership, or installer, or any damage to any Thursday Pools pool caused by an act of any dealer, dealership, or installer.