

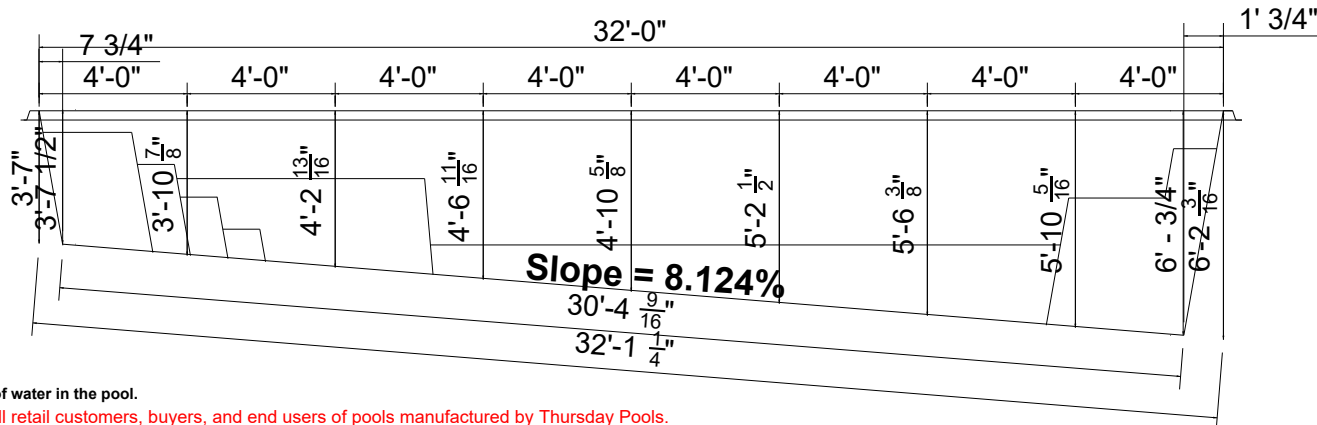
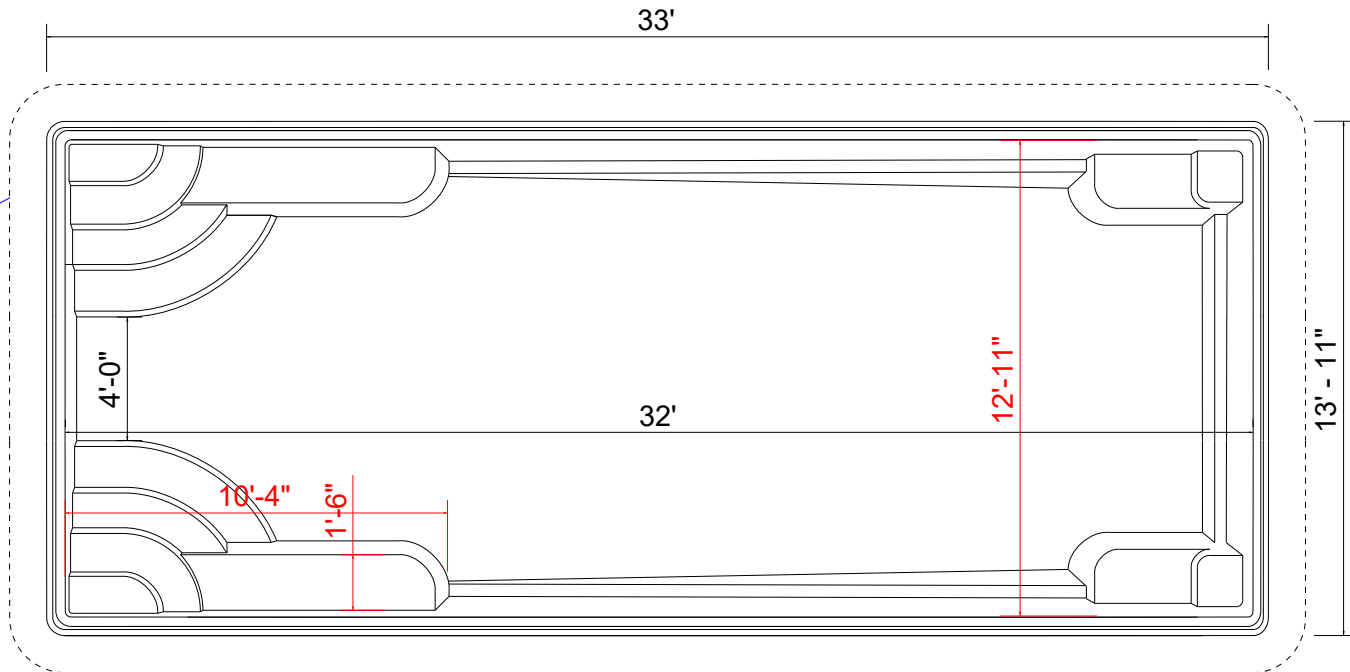
THURSDAY POOLS

Your weekend starts early with us

Goliath 1433

Depth: 3' - 8" to 6' - 0"

Typical Overdig
approx 1'
If using FPA
(Fiberglass Pool
Anchor System)
20" to 24"



(Add approx 1/4" for fiberglass floor thickness)

**PLEASE SEE GENERAL CONSTRUCTION AND
RECOMMENDED INSTALLATION NOTES**

NON DIVING POOL

SPECIFICATIONS:

Volume:	11,718 gal (est)
Weight:	lbs (est)
Area:	418 sq. ft. (est)
Perimeter:	90' (est)

SCALE:

CONTROL

Designed By:	Checked By:
TP	DC

THURSDAY POOLS, LLC
your weekend starts early with us . . .
840 Commerce Parkway
Fortville, Indiana 46040
Note: for technical help, please call Thursday Pools LLC at
Toll Free (877) 929-POOL (7665)
Local (317) 973-0200

To be filled out by Pool Dealer

POOL NAME:	Goliath 1433
OWNER:	
ADDRESS:	
POOL DEALER:	

To be filled out by Thursday Pools LLC

Date:	5/17/23
Job No.:	
File No.:	

Sheet No. D8
Revision No. 02

*All depths reflect the depth of the pool structure.
Water depths may vary depending on the amount of water in the pool.

This NOTICE AND DISCLAIMER is made to all retail customers, buyers, and end users of pools manufactured by Thursday Pools. You are by this NOTICE advised that pools manufactured by Thursday Pools (the "MANUFACTURER") are sold by independent dealers and dealerships. Each dealer is an independent businessperson who is completely separate from the MANUFACTURER. Each dealer is an independent contractor, and no dealer is an owner, agent (in fact or law), or employee of the MANUFACTURER. The MANUFACTURER hereby DISCLAIMS any liability for an intentional or negligent act by any dealer, dealership, or installer, or any damage to any Thursday Pools pool caused by an act of any dealer, dealership, or installer.