

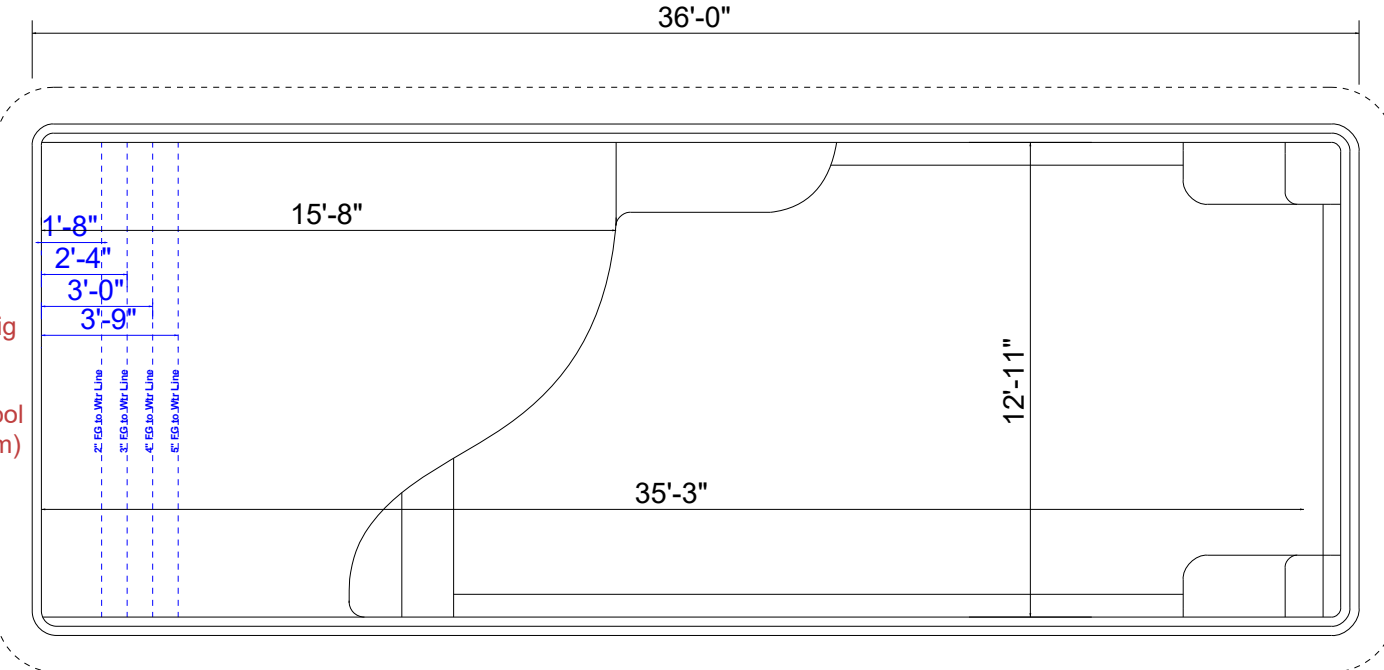
THURSDAY POOLS

Your weekend starts early with us

Grace 1436

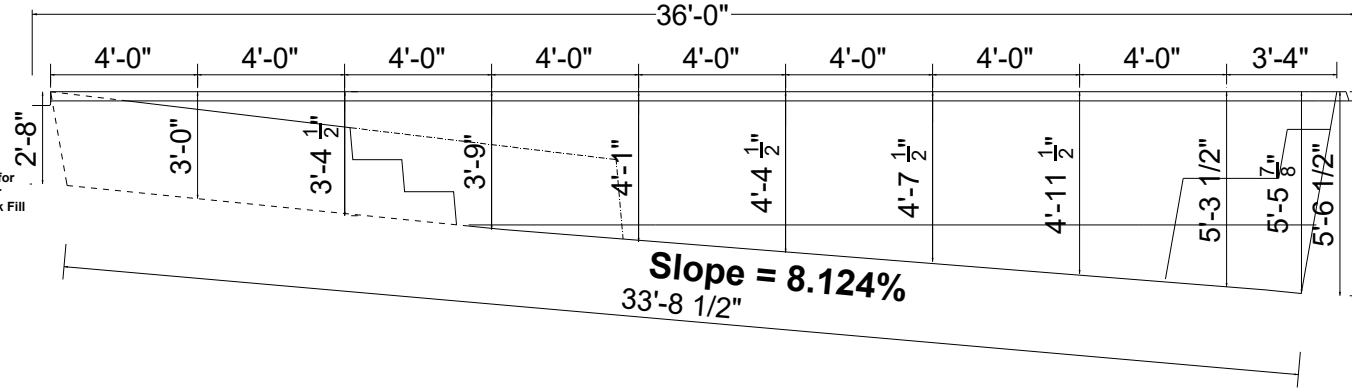
Depth: 0'-0" to 5'-6

Typical Overdig
approx 1'
If using FPA
(Fiberglass Pool
Anchor System)
20" to 24"



13'-11"

Note: add 1" thickness for
Beach Entry floor
without BFE Back Fill
Eliminator



(Add approx 1/4" for fiberglass floor thickness and 1" for sun deck)

**PLEASE SEE GENERAL CONSTRUCTION AND
RECOMMENDED INSTALLATION NOTES**

NON DIVING POOL

THURSDAY POOLS LLC
your weekend starts early with us
840 Commerce Parkway
Fortville, Indiana 46040
Note: for technical help please call Thursday Pools LLC at
Toll Free (877) 929-POOL (7665)
Local (317) 973-0200

To be filled out by Pool Dealer

POOL NAME: **Grace 1436**

OWNER: _____

ADDRESS: _____

POOL DEALER: _____

To be filled out by Thursday Pools LLC

Date: 3/29/22

Job No. _____

File No. _____

Sheet No. **D8**

Revision No. 01

Patent US 10,358,837
Patent US 10,472,839

Meets Input Criteria: _____

WHK 6/1/18

CONTROL

Confirmed Act Dim: _____

DC 3/22/19

Confirmed Dig Spec: _____

Alins 4/16/19

SPECIFICATIONS:
volume:: 8,400 gal (est)
Weight: 2,100 lbs (est)
Area: 435 sq. ft. (est)
Perimeter: 96' (est)
SCALE:

*All depths reflect the depth of the pool structure.
Water depths may vary depending on the amount of water in the pool.

This NOTICE AND DISCLAIMER is made to all retail customers, buyers, and end users of pools manufactured by Thursday Pools. You are by this NOTICE advised that pools manufactured by Thursday Pools (the "MANUFACTURER") are sold by independent dealers and dealerships. Each dealer is an independent businessperson who is completely separate from the MANUFACTURER. Each dealer is an independent contractor, and no dealer is an owner, agent (in fact or law), or employee of the MANUFACTURER. The MANUFACTURER hereby DISCLAIMS any liability for an intentional or negligent act by any dealer, dealership, or installer, or any damage to any Thursday Pools pool caused by an act of any dealer, dealership, or installer.

General Tolerance +/- 1/2"